

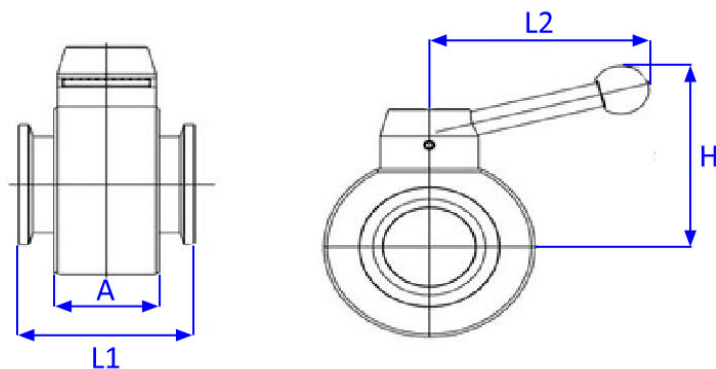
TDS

Manual Butterfly Valves

DN25 to DN50 KF

Material : Stainless Steel

Pressure range : ATP to 1.10^{-9} mbar



P/N	DN	Dimensions (mm)			
		A	H	L1	L2
VP-KF25-M	25	30	60	50	62
VP-KF40-M	40	35	78	65	85
VP-KF50-M	50	45	105	85	110



TDS-Manual-Butterfly-Valves-KF-V2